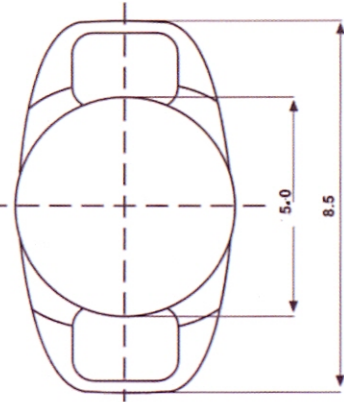
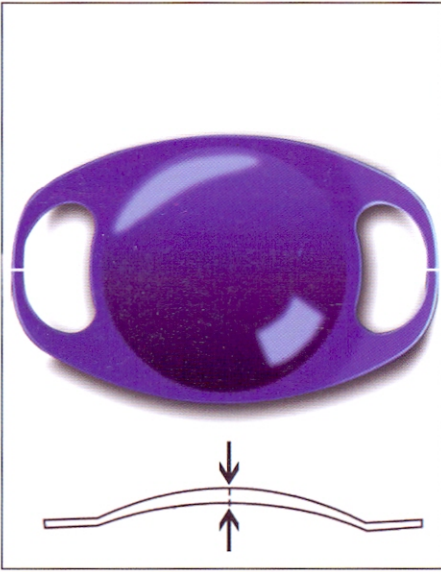


ATP IRIFIX APHAKIA

PMMA IOL for iris fixation

ATP IRIFIX is the best backup lens in complicated cataract cases, Based on the long term experience of iris fixation. ATP IRIFIX IOL is a predictable, safe, high precision implant.

Material:	PMMA CQ-UV
Haptics:	Iris claw
Overall Ø:	8.5 mm
Body Ø:	5 mm Biconvex*
A-constant:	Ultrasound: 115.0
	Optical: 115.7 (SRK T) 115.7 (SRK II)
A-constant Retropupillar:	Ultrasound: 116.8
	Optical: 116.9 (SRK T) 116.8 (SRK II)
Dioptric Powers:	+2.0 D to +30.0 D (1.0 D increments) +14.5 D to +24.5 D (0.5 D increments)
Also available:	ATP IRIFIX4.4/6.5 mm and 4.4/7.5 mm designed for small eyes.



ATP IRIFIX MYOPIA

ATP IRIFIX Myopia is a Iris fixated IOL designed for the correction of myopia.

Features and Benefits:

- Iris fixation
- One size fits all
- Reversible treatment
- Optimal clearance from vital tissues
- Predictable, reliable, stable, versatile
- Long term safety

ABZAR TEB POUYA Co.

Specifications:

Material:	PMMA CQ-UV
Haptics:	Iris claw
Overall Ø:	8.5 mm
Body Ø:	5 mm Convex-concave
A-constant:	Ultrasound: 115.0
	Optical: 115.7 (SRK T) 115.7 (SRK II)
A-constant Retropupillar:	Ultrasound: 116.8
	Optical: 116.9 (SRK T) 116.8 (SRK II)
Dioptric Powers:	-1.0 D to -23.0 D (0.5 increments)

